

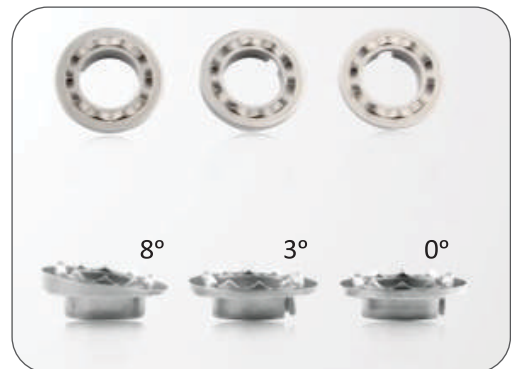
CTL™ Corpectomy Expandable Cage

Indication :

- For Thoraco - Lumber and cervical corpectomy procedure.
- Used as vertebral body replacement to the damage vertebral body caused by tumor, fracture, to restore height of a collapsed vertebral body.
- Used in combination with anterior or posterior screw fixation.

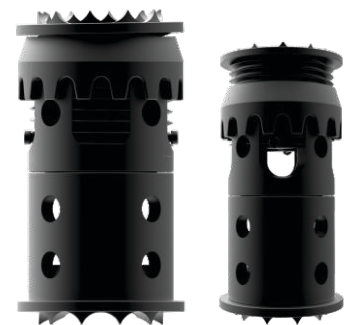


End Plates :



Feature :

- CTL Corpectomy Expandable Cage consist of a cylindrical shape that can be telescopically distracted and compressed by user friendly device.
- Cage Diameter : 14, 16, 18 and 21mm,
- Toothed endplates prevent movement of the expandable cage after implantation.
- End plate Available in Various Diameter and angle of 0°, 3°, 8°
- Range : Cervical (25-30), Throacic (00-00), Lumber (00-00)
- Surrounding cavities facilitates adequate bone graft.



Intrumentation :

Ergonomic design tools easy to operate.

